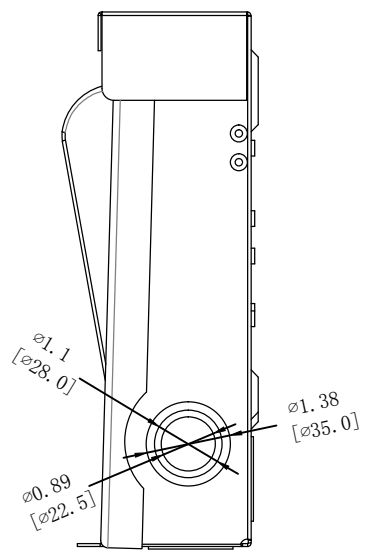


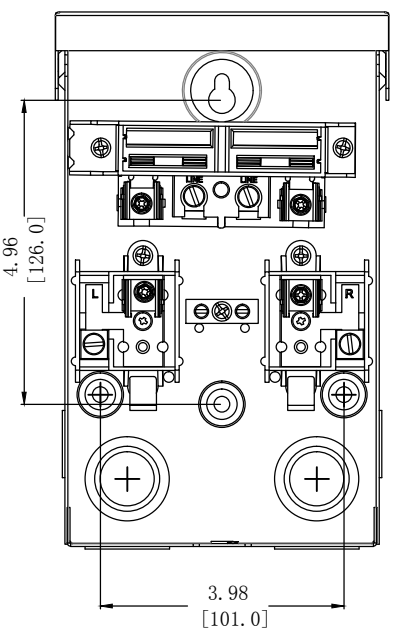
Enclosure	Fused/Non-Fused	RATINGS	HORSEPOWER RATINGS		TERMINAL TORQUE CONNECTOR TORQUE (AL - CU WIRE)	
			120 V: Standard Horsepower Rating 0.5HP Maximum Horsepower Rating 2HP	240 V: Standard Horsepower Rating 1.5HP Maximum Horsepower Rating 3HP	LINE / LOAD	GROUND
					WIRE SIZE (AWG) 14 - 10 8 - 6 4 - 2	WIRE SIZE (AWG) 14 - 10 8
NEMA 3R (outdoor) Metallic	30A Fused	120 Vac, 30 Amp, Single Phase, 2-pole, 3-wire 240 Vac, 30 Amp, Single Phase, 2-pole, 3-wire	TORQUE (LB - IN) 35 45 50	TORQUE (LB - IN) 25 40		

Applications:
Air conditioners
Heat pumps
Water heaters
Other locations where
a local disconnect is
required

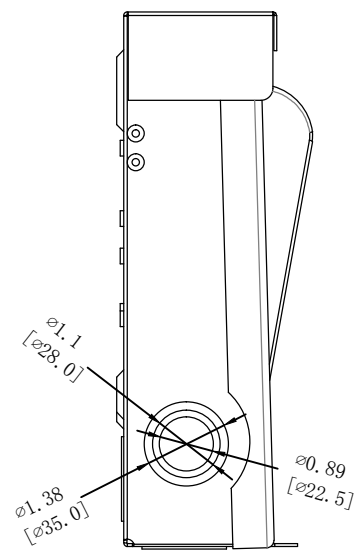
Left Side View



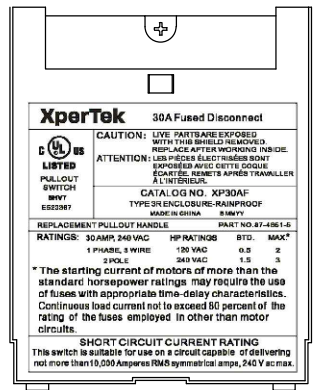
Front View (Inside)



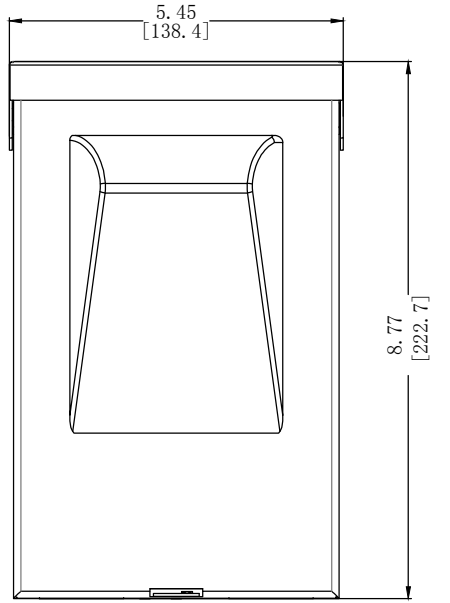
Right Side View



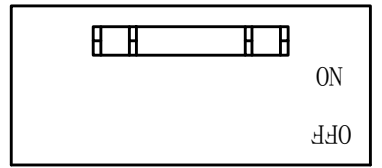
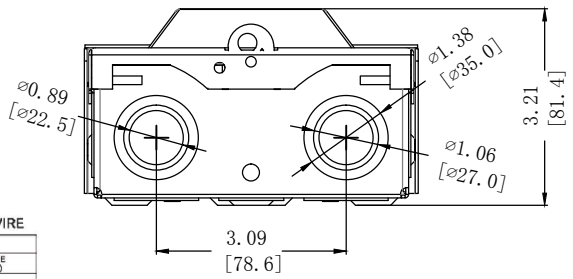
Front Cover



Front Cover



Bottom View



XperTek 30A Fused Disconnect

CAUTION: LIVE PARTS ARE EXPOSED WITH THIS SHIELD REMOVED. REPLACE AFTER WORKING INSIDE.

ATTENTION: LES PIÈCES ÉLECTRIFIÉES SONT EXPOSÉES AVEC CETTE COQUE ÉCARTÉE. REMETS APRÈS TRAVAILLER À L'INTÉRIEUR.

CATALOG NO. XP30AF
TYPE 3R ENCLOSURE-RAINPROOF
MADE IN CHINA B MIMY

REPLACEMENT PULLOUT HANDLE PART NO. 87-4861-5

RATINGS:	30 AMP, 240 VAC	HP RATINGS	STD.	MAX.*
1 PHASE, 3 WIRE	120 VAC	0.5	2	
2 POLE	240 VAC	1.5	3	

* The starting current of motors of more than the standard horsepower ratings may require the use of fuses with appropriate time-delay characteristics. Continuous load current not to exceed 80 percent of the rating of the fuses employed in other than motor circuits.

SHORT CIRCUIT CURRENT RATING
This switch is suitable for use on a circuit capable of delivering not more than 10,000 Amperes RMS symmetrical amps, 240 V ac max.

UL LISTED
PULL-OUT SWITCH
SHV7
E523367

FRONT SIDE

XperTek

DISC DISCONNECT SWITCH
30A UL FUSED

PART NO.: XP30AF

30A Fused Disconnect
30AMP, 240VAC
1 PHASE, 3 WIRE

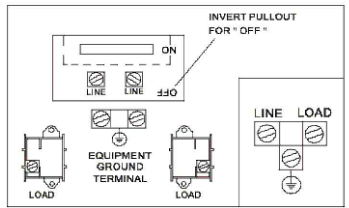
QTY: 1 PC/BAG

UL LISTED
SHV7
E523367

INDIVIDUAL PACKAGE LABEL

USE 60/75°C ALUMINUM OR COPPER WIRE

LUG SPECIFICATIONS (AL-CU WIRE)		
	WIRE SIZE (AWG)	TORQUE (LB-IN)
LINE/LOAD TERMINALS	14-10 8-6 4-2	35 45 50
EQUIPMENT GROUND TERMINAL	14-10 8	25 40



REVERSE SIDE

MHEC,Ltd - XperTek

Dwn By: Liuyun

Date: 01/18/2022

Chk By: Panfei

Part No. XP30AF