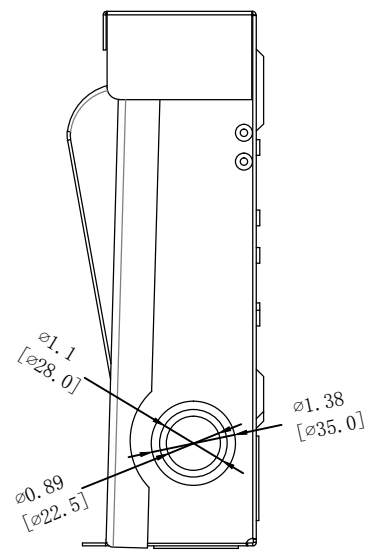


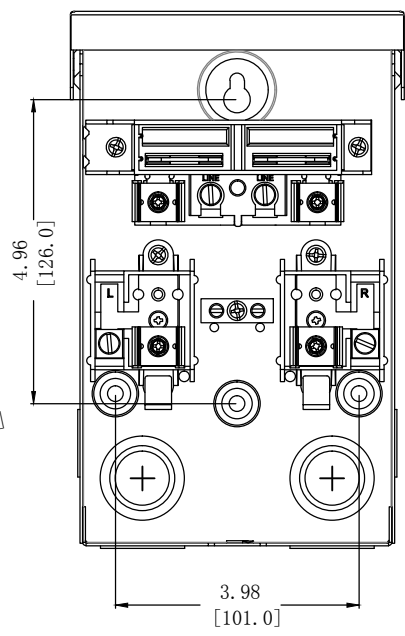
Enclosure	Fused/Non-Fused	RATINGS	HORSEPOWER RATINGS		TERMINAL TORQUE CONNECTOR TORQUE (AL - CU WIRE)	
					LINE / LOAD	GROUND
					WIRE SIZE (AWG) 14 - 10 8 - 6 4 - 2	WIRE SIZE (AWG) 14 - 10 8
NEMA 3R (outdoor) Metallic	60A Fused	120 Vac, 60 Amp, Single Phase, 2-pole, 3-wire 240 Vac, 60 Amp, Single Phase, 2-pole, 3-wire	120 V: Standard Horsepower Rating 1.5HP Maximum Horsepower Rating 3HP	240 V: Standard Horsepower Rating 3HP Maximum Horsepower Rating 10HP	TORQUE (LB - IN) 35 45 50	TORQUE (LB - IN) 25 40

Applications:  
Air conditioners  
Heat pumps  
Water heaters  
Other locations where a local disconnect is required

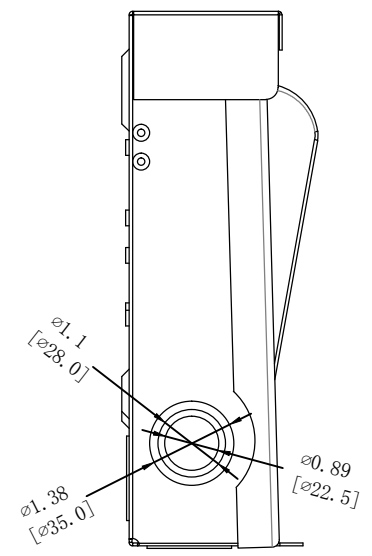
Left Side View



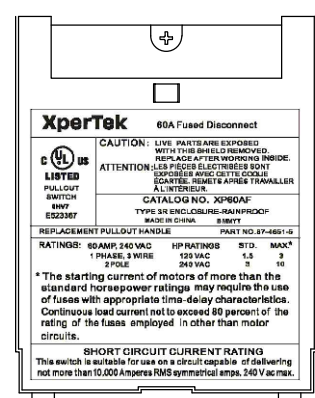
Front View (Inside)



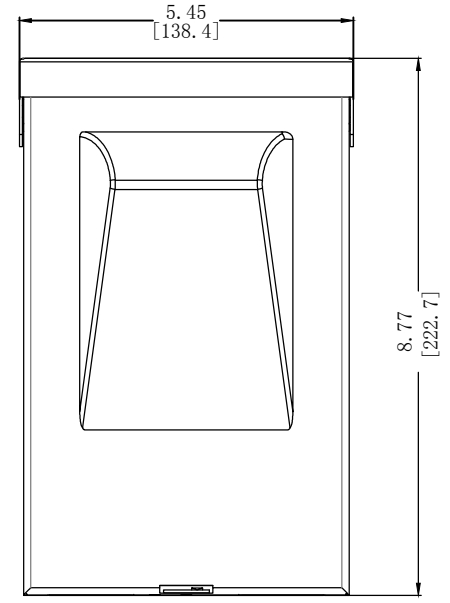
Right Side View



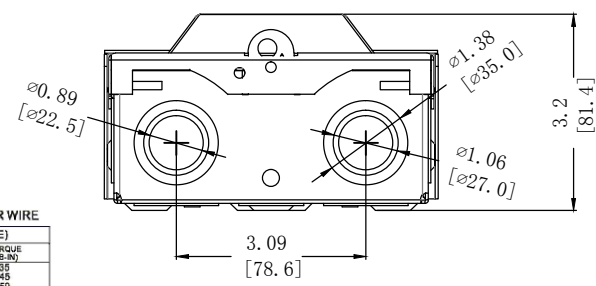
Front Cover



Front Cover



Bottom View



**XperTek 60A Fused Disconnect**

**CAUTION:** LIVE PARTS ARE EXPOSED WITH THIS SHIELD REMOVED. REPLACE AFTER WORKING INSIDE.  
**ATTENTION:** LES PIÈCES ÉLECTRIQUES SONT EXPOSÉES AVEC CETTE COQUE ÉCARTÉE. REMETS APRÈS TRAVAILLER À L'INTÉRIEUR.

**CATALOG NO. XP60AF**  
TYPE 3R ENCLOSURE-RAINPROOF  
MADE IN CHINA BMMYY

**REPLACEMENT PULLOUT HANDLE PART NO. 87-4651-5**

RATINGS: 60 AMP, 240 VAC	HP RATINGS	STD.	MAX.*
1 PHASE, 3 WIRE	1.5	3	
2 POLE	240 VAC	3	10

\* The starting current of motors of more than the standard horsepower ratings may require the use of fuses with appropriate time-delay characteristics. Continuous load current not to exceed 80 percent of the rating of the fuses employed in other than motor circuits.

**SHORT CIRCUIT CURRENT RATING**  
This switch is suitable for use on a circuit capable of delivering not more than 10,000 Amperes RMS symmetrical amps, 240 V ac max.

**XperTek**

**DISC DISCONNECT SWITCH**  
**60A UL FUSED**

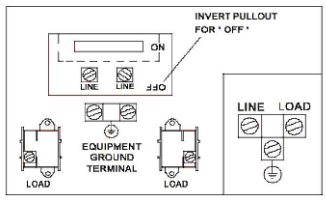
**PART NO.: XP60AF**

60A Fused Disconnect  
60AMP, 240VAC  
1 PHASE, 3 WIRE  
QTY: 1 PC/BAG



USE 60/75°C ALUMINUM OR COPPER WIRE

LUG SPECIFICATIONS (AL-CU WIRE)		
LINE/LOAD TERMINALS	WIRE SIZE (AWG)	TORQUE (LB-IN)
EQUIPMENT GROUND TERMINAL	14-10	35
	8	40



FRONT SIDE

INDIVIDUAL PACKAGE LABEL

REVERSE SIDE

<b>MHEC, Ltd - XperTek</b>	
Dwn By: Liuyun	Date: 01/18/2022
Chk By: Panfei	Part No. XP60AF