

Enclosure	Fused/Non-Fused	RATINGS	HORSEPOWER RATINGS	TERMINAL TORQUE	
				CONNECTOR TORQUE (AL - CU WIRE)	
				LINE / LOAD	GROUND
NEMA 3R (outdoor) Metallic	60A Non-Fused	240 Vac, 60 Amp, Single Phase, 2-pole, 3-wire	Standard Horsepower Rating 3HP Maximum Horsepower Rating 10HP	WIRE SIZE (AWG) 14-10 8-6 4-2	WIRE SIZE (AWG) 14-10 8
				TORQUE (LB - IN) 35 45 50	TORQUE (LB - IN) 25 40

Applications:
Air conditioners
Heat pumps
Water heaters
Other locations where
a local disconnect is
required

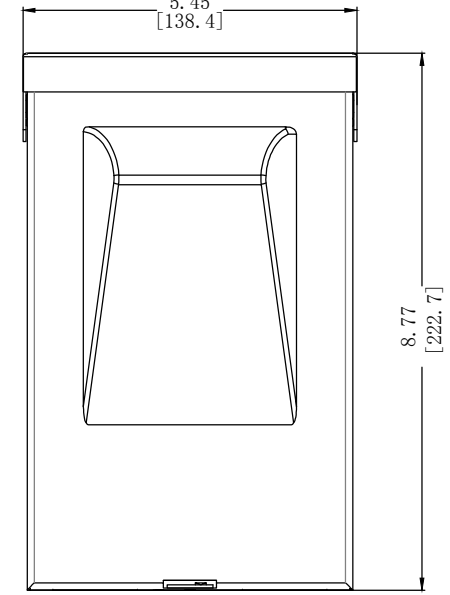
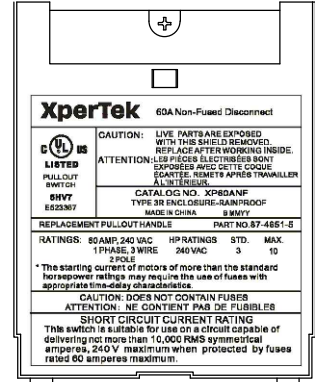
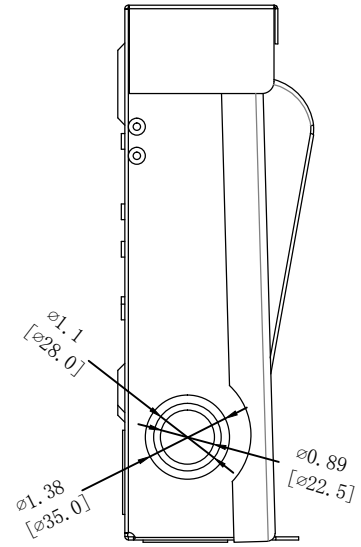
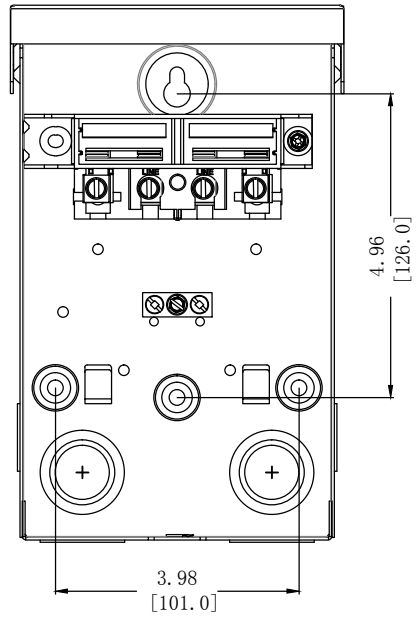
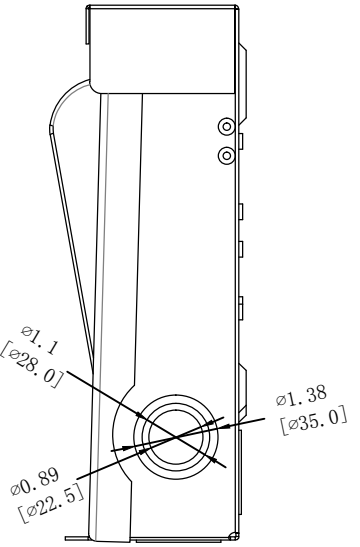
Left Side View

Front View (Inside)

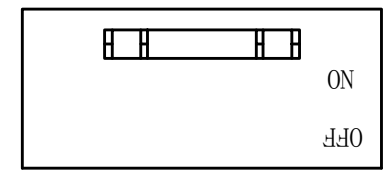
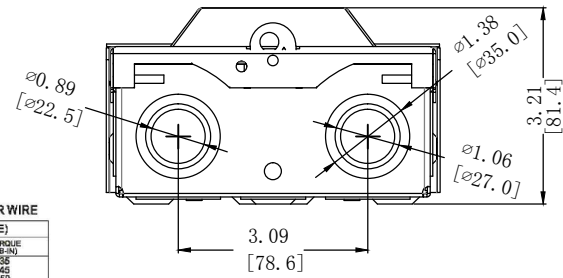
Right Side View

Front Cover

Front Cover



Bottom View



XperTek 60A Non-Fused Disconnect

CAUTION: LIVE PARTS ARE EXPOSED WITH THIS SHIELD REMOVED. REPLACE AFTER WORKING INSIDE.
ATTENTION: LES PIÈCES ÉLECTRIQUES SONT EXPOSÉES AVEC CETTE COQUE ÉCARTÉE. REMETS APRÈS TRAVAILLER À L'INTÉRIEUR.

CATALOG NO.: XP60ANF
TYPE 3R ENCLOSURE-RAINPROOF
MADE IN CHINA BMMYY

REPLACEMENT PULLOUT HANDLE PART NO. 87-4651-5

RATINGS: 60 AMP, 240 VAC HP RATINGS STD. MAX.
1 PHASE, 3 WIRE 240 VAC 3 10
2 POLE

* The starting current of motors of more than the standard horsepower ratings may require the use of fuses with appropriate time-delay characteristics.

CAUTION: DOES NOT CONTAIN FUSES
ATTENTION: NE CONTIENT PAS DE FUSIBLES

SHORT CIRCUIT CURRENT RATING
This switch is suitable for use on a circuit capable of delivering not more than 10,000 RMS symmetrical amperes, 240 V maximum when protected by fuses rated 60 amperes maximum.

FRONT SIDE

XperTek

DISC DISCONNECT SWITCH
60A UL NONFUSED

PART NO.: XP60ANF

60A Non-Fused Disconnect
60AMP, 240VAC
1 PHASE, 3 WIRE
QTY: 1 PC/BAG

USE 60/75°C ALUMINUM OR COPPER WIRE

LUG SPECIFICATIONS (AL-CU WIRE)

	WIRE SIZE (AWG)	TORQUE (LB-IN)
LINE/LOAD	14-10	35
TERMINALS	8-6	45
	4-2	50
EQUIPMENT GROUND TERMINAL	14-10	25
	8	40

INVERT PULLOUT FOR "OFF"

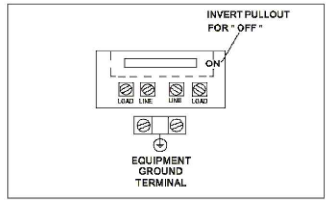
ON

OFF

EQUIPMENT GROUND TERMINAL

UL LISTED 5HV7 E523367

INDIVIDUAL PACKAGE LABEL



REVERSE SIDE

MHEC,Ltd - XperTek	
Dwn By: Liuyun	Date: 01/18/2022
Chk By: Panfei	Part No. XP60ANF